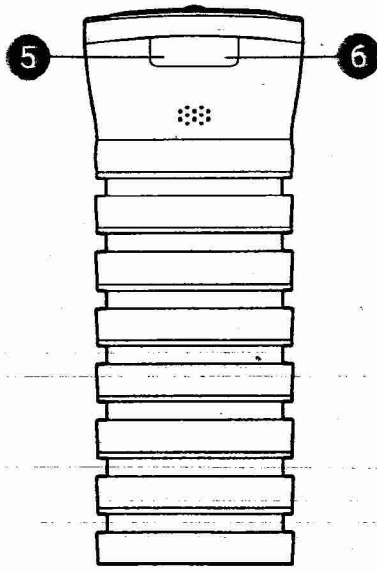
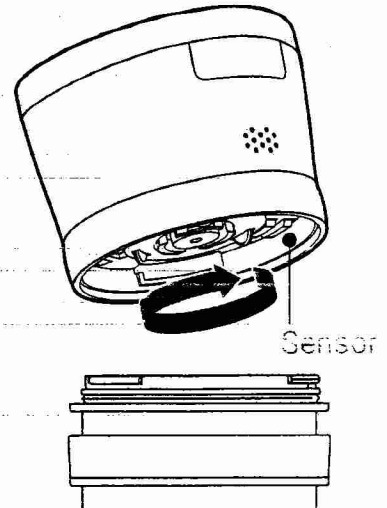


- 1. Status button
- 2. USB cover
- 3. Speaker



- 4. Pods (x7)
- 5. Sound button
- 6. Timer button

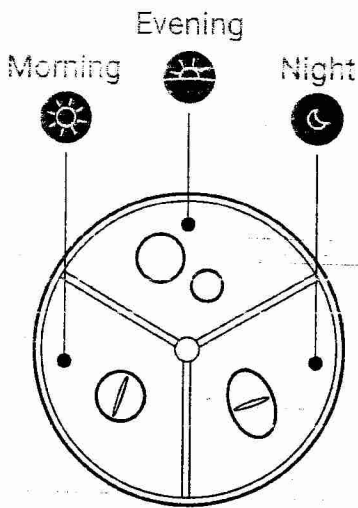
**1**  
Open cap and pods  
by turning  
counter-clockwise.



**Item/Sku: 481102**

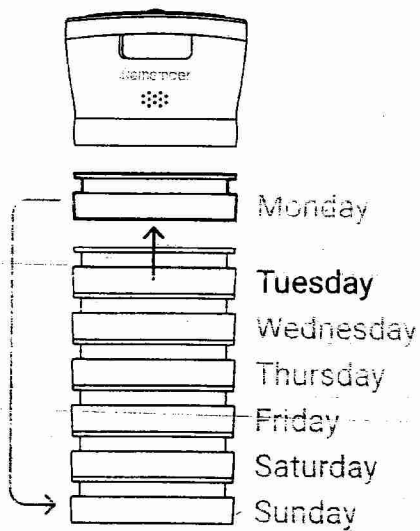
**2**

Sort 7 days of pills and  
place doses in pods.



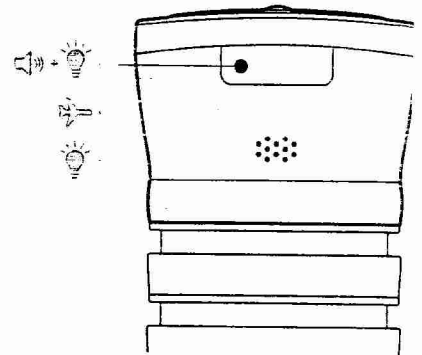
**3**

Stack pods and place  
upcoming pod on top.



**4**

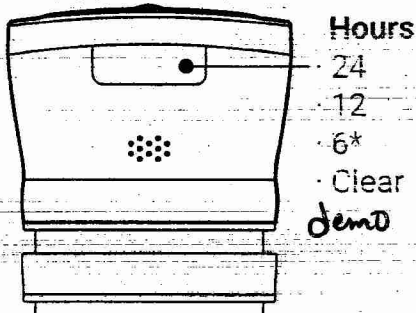
**Set Light & Sound**  
Press left button (5) to  
select:  
Sound On  
Flight Mode  
Sound Off



**5**

**Set timer**

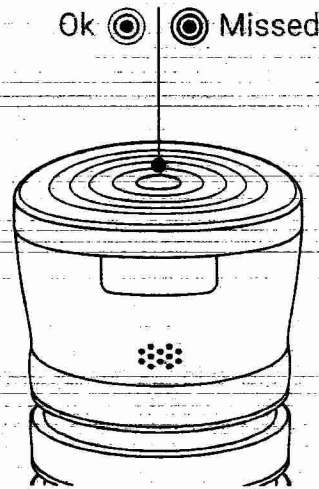
Press right side of button (6) until selection is heard. To Cancel timer, select "Clear"



\* Start with morning dose

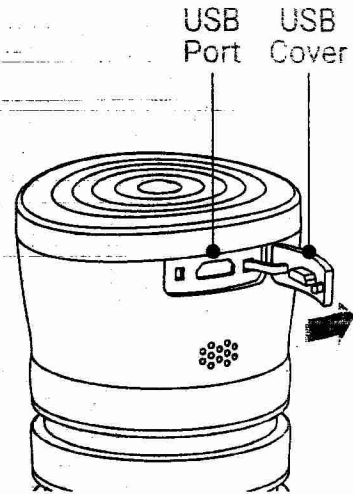
**6**

For 'Last opened' notification press status button (1):







**7**

Open USB cover (2) to connect charger.



**8**

Download our app and get the most out of iRemember. Search 'iRemember' in the Google Play App Store.

-  Remembers location of last connection.
-  Activity log
-  Open/Closed and Status button
-  Battery level indicator

**FAQ**

**1. Do I need a mobile phone to use iRemember?**

No, iRemember will work by itself for daily reminders. For additional features, pair with mobile phone app.

**2. Does iRemember work with multiple medicines?**

Yes, multiple pills and multiple doses can be organized with iRemember.

**3. May I use liquids with iRemember?**

No, liquids are not permitted.